

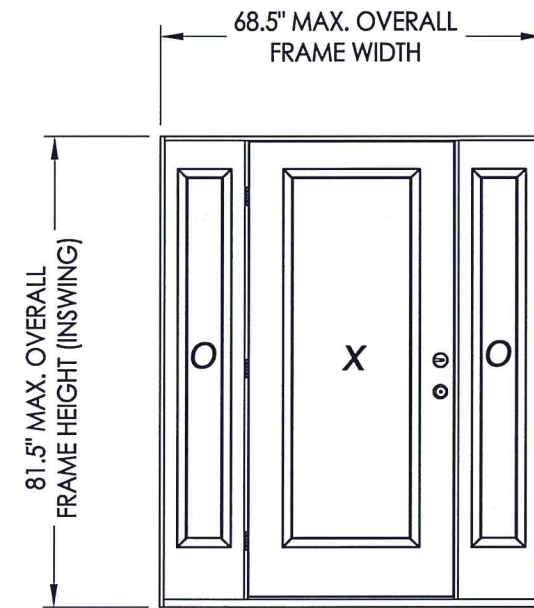
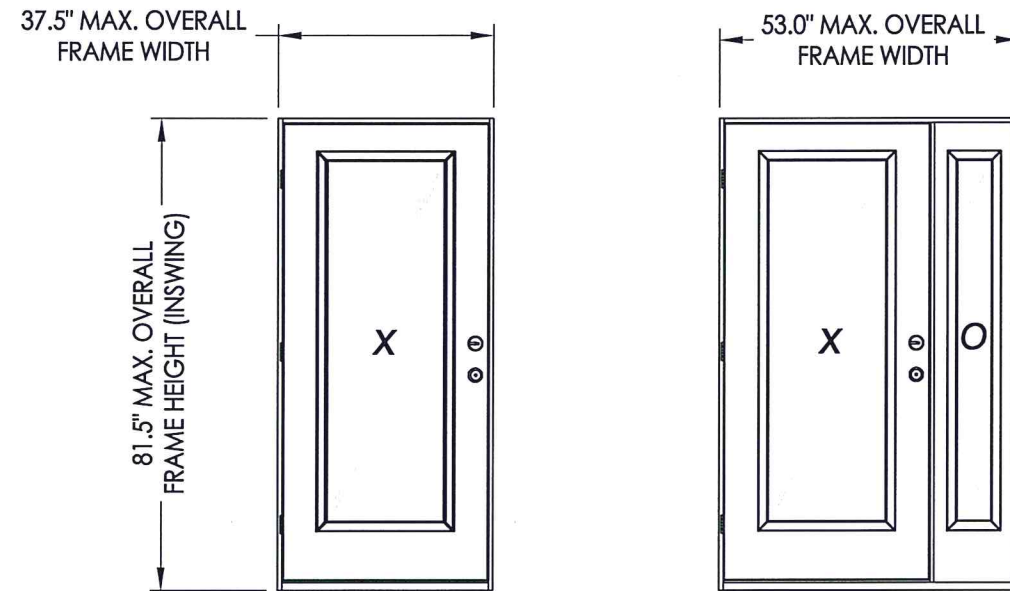


GLAZED FIBERGLASS ENTRY DOOR SINGLES w/ or w/out SIDELITES

**INSWING
"NON-IMPACT"**

GENERAL NOTES

1. This product has been evaluated and is in compliance with the 7th Edition (2020) Florida Building Code (FBC) structural requirements excluding the "High Velocity Hurricane Zone" (HVHZ).
2. Product anchors shall be as listed and spaced as shown on details. Anchor embedment to base material shall be beyond wall dressing or stucco.
3. When used in areas requiring wind borne debris protection, this product is required to be protected with an impact resistant covering that complies with FBC Sections 1609.1.2 & R301.2.1.2.
4. For 2x stud framing construction, anchoring of these units shall be the same as that shown for 2x buck masonry construction.
5. Site conditions that deviate from the details of this drawing require further engineering analysis by a licensed engineer or registered architect.



CONTINUOUS HEAD & SILL

CONFIGURATION	MAX. FRAME DIMENSION	INTEGRAL MULLION WIDTH	DESIGN PRESSURE (PSF) INSWING	
			POSITIVE	NEGATIVE
X	37.5" x 81.5"	N/A	+40.0	-40.0
OX/XO	52.125" x 81.5"	1.625"	+40.0	-40.0
	53.0" x 81.5"	2.5"	+40.0	-40.0
OXO	66.75" x 81.5"	1.625"	+40.0	-40.0
	68.5" x 81.5"	2.5"	+40.0	-40.0

TABLE OF CONTENTS	
SHEET #	DESCRIPTION
1	Typical Elevations, Design Pressures & General Notes
2	Door Panel Details & Glazing Details
3	Sidelite Panel Details
4	Elevations
5	Horizontal & Vertical Cross Sections (2X Buck)
6	Horizontal & Vertical Cross Sections (1X Buck)
7	Horizontal & Vertical Cross Sections (Direct to Masonry)
8	Horizontal Cross Sections
9	Vertical Cross Sections
10	Buck Anchoring
11	Frame Anchoring & Hardware Details
12	Bill of Materials & Components

August 6, 2020

Documents Prepared By:
 Lyndon F. Schmidt
 P.E. No. 43409

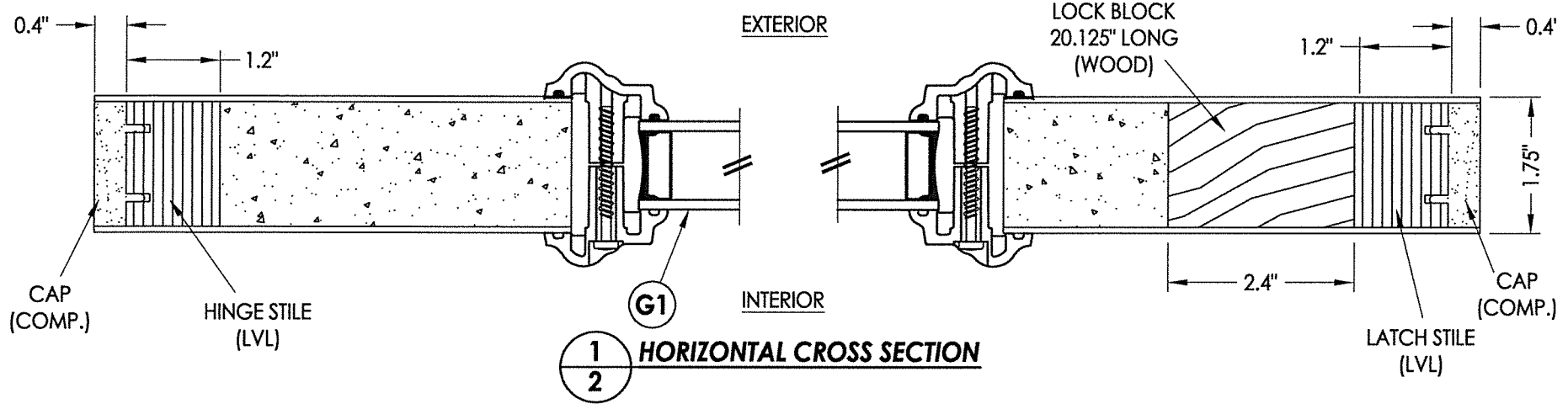
BUILDING CONSULTANTS, INC.
 P.O. Box 230, Valrico, FL 33595
 Phone No.: 813.659.9197
 FBPE Registry No. 9813

PRODUCT: DOORSCAPES FIBERGLASS DOOR
 PART OR ASSEMBLY: TYPICAL ELEVATION, DESIGN PRESSURES & GENERAL NOTES

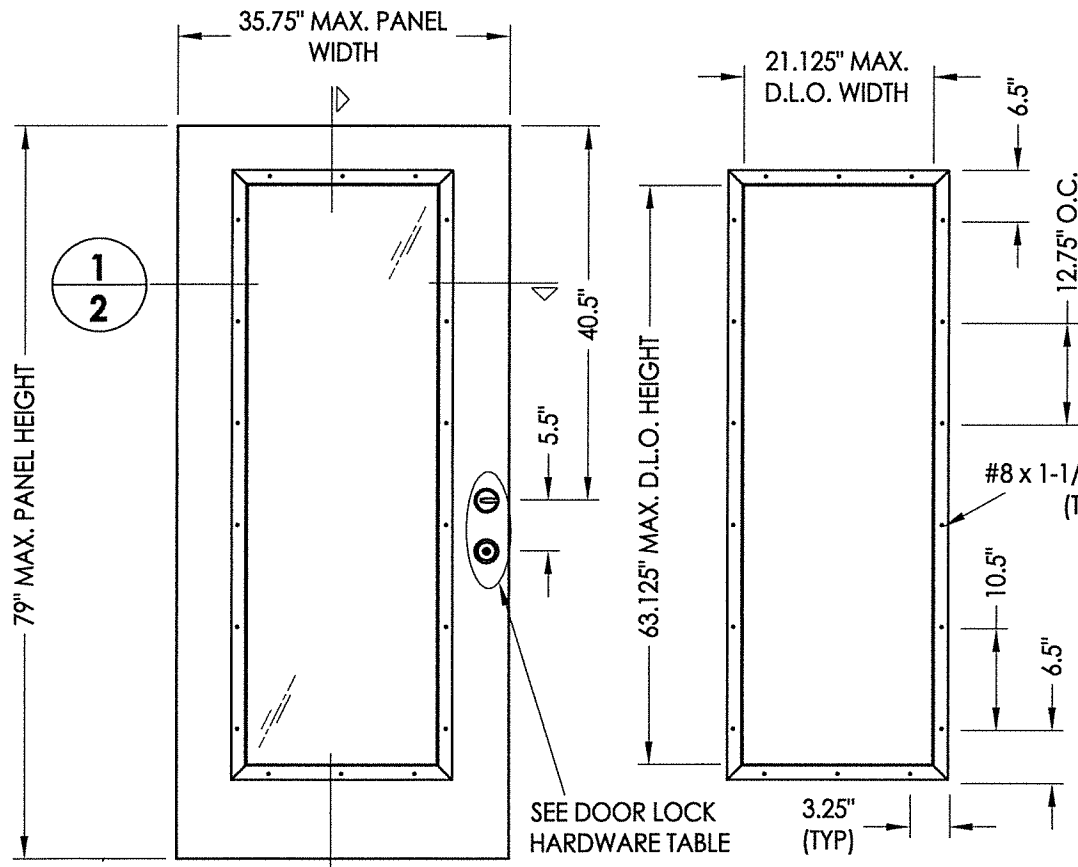
NO.	DATE	REVISIONS
1	8/06/20	UPDATE TO 7TH ED. (2020) FBC

DATE: 1/21/19
 SCALE: N.T.S.
 DWG. BY: MT
 CHK. BY: LFS
 DRAWING NO.: FL-28831.3
 SHEET 1 OF 12

R:\Clients\Doorscapes\VA - Florida Product Approvals\FL-28831 (FG Door)\C - Drawings\FL-28831 (2020)\FL28831.3-4.dwg, 2.1

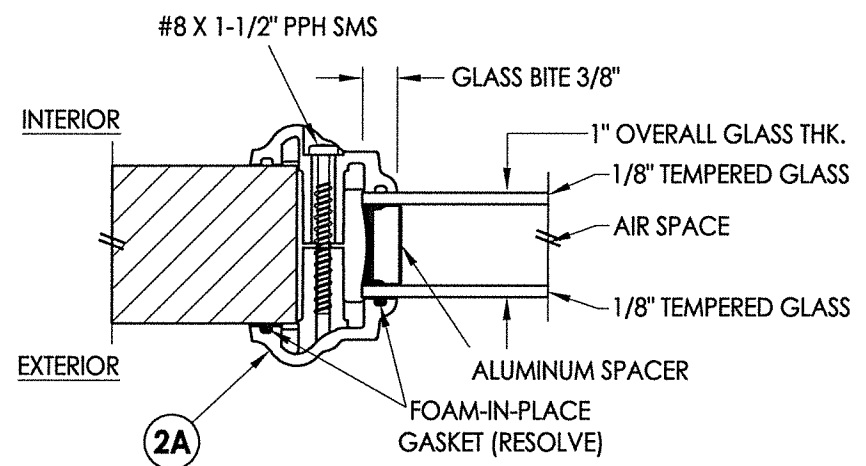


1
2
HORIZONTAL CROSS SECTION

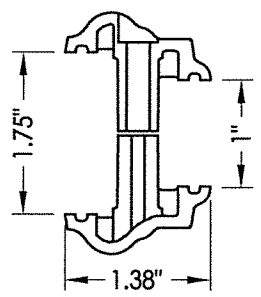


2
2
40 DOOR PANEL
Doorscapes

FIBERGLASS SKIN: 0.075" MIN. THK.
FOAM CORE: POLYURETHANE -1.9 PCF MIN.

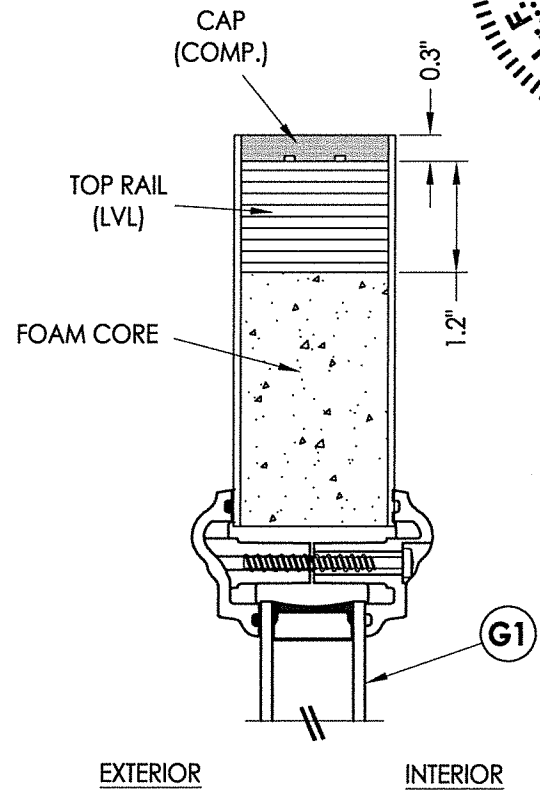


G1
GLAZING DETAIL
ODL LITE FRAME

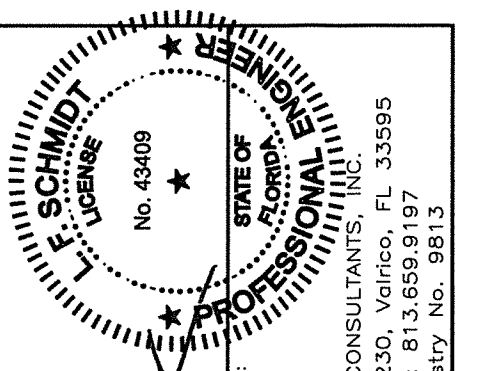


2A
ODL LITE FRAME
HP Polypropylene

HARDWARE TABLE	
MANUFACTURER	MODEL
YALE	KNOB: YE SERIES (10) DEADBOLT: YE SERIES (82E)



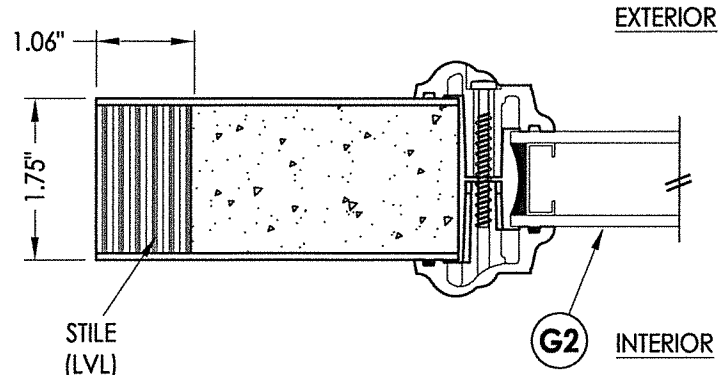
2
2
VERTICAL CROSS SECTION



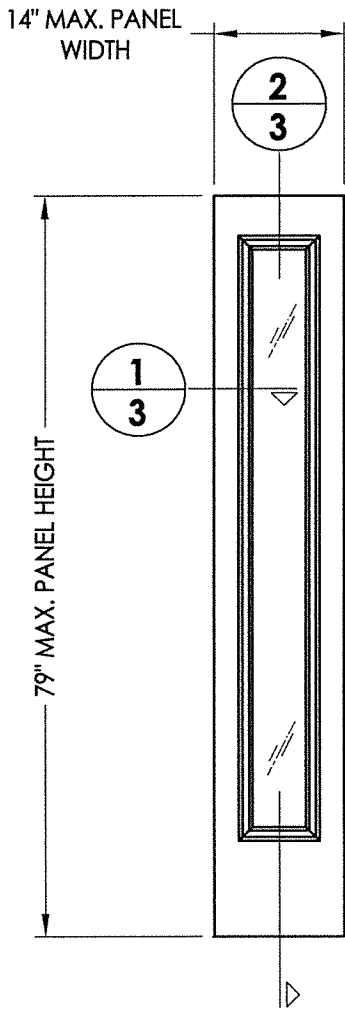
August 6, 2020
 Documents Prepared By:
 Lyndon F. Schmidt
 P.E. No. 43409
 R.W. BUILDING CONSULTANTS, INC.
 P.O. Box 230, Valrico, FL 33595
 Phone No.: 813.659.9197
 FBPE Registry No. 9813

PRODUCT: DOORSCAPES FIBERGLASS DOOR	
PART OR ASSEMBLY: DOOR PANEL DETAILS & GLAZING DETAILS	
NO.	DATE
1	8/06/20
UPDATE TO 7TH ED. (2020) FBC	
LFS	BY
REVISIONS	
DATE: 1/21/19	
SCALE: N.T.S.	
DWG. BY: MT	
CHK. BY: LFS	
DRAWING NO.: FL-28831.3	
SHEET 2 OF 12	

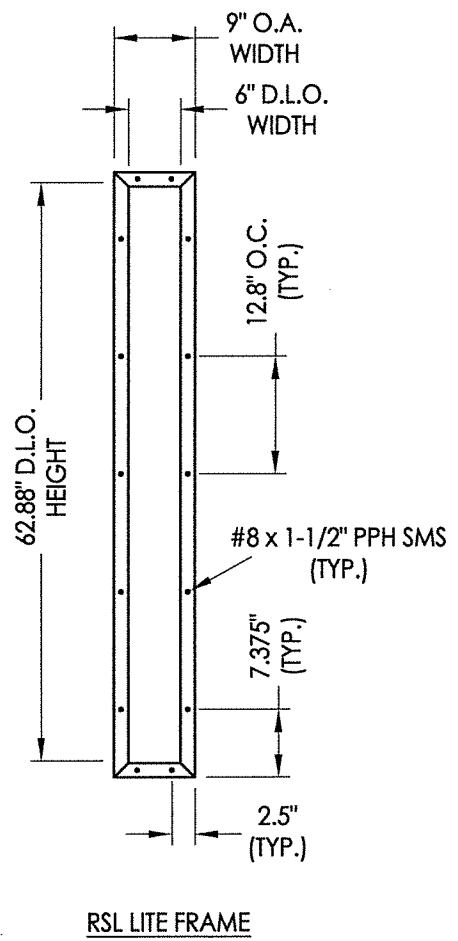
R:\Clients\Doorscapes\VA - Florida Product Approvals\FL-28831 (FG Door)\C - Drawings\FL-28831 (2020)\FL28831.3-4.dwg, 3.1



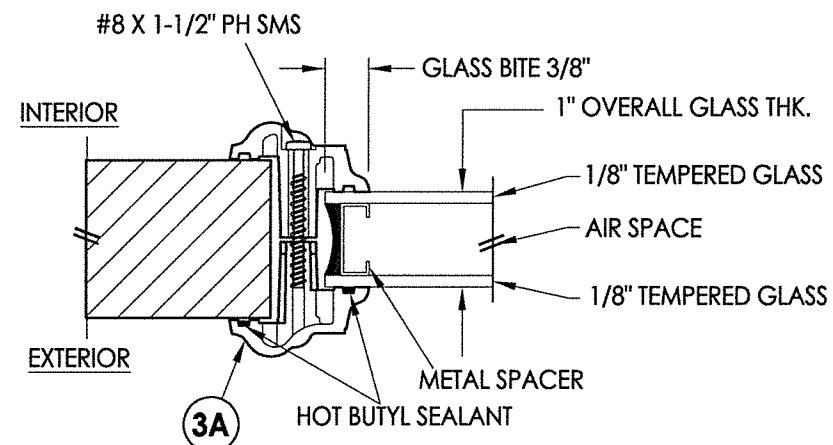
1
3 HORIZONTAL CROSS SECTION



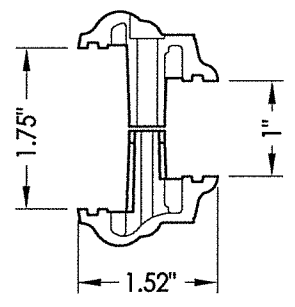
50 SIDELITE PANEL
Doorscapes



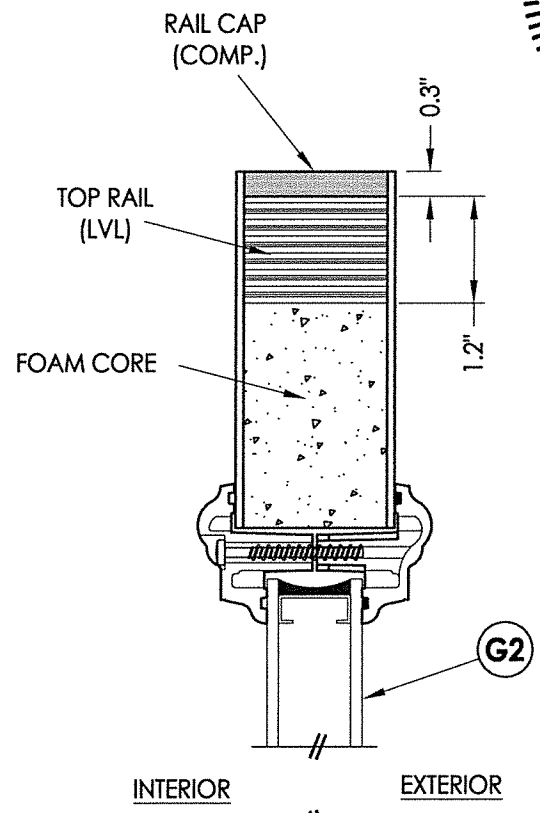
RSL LITE FRAME



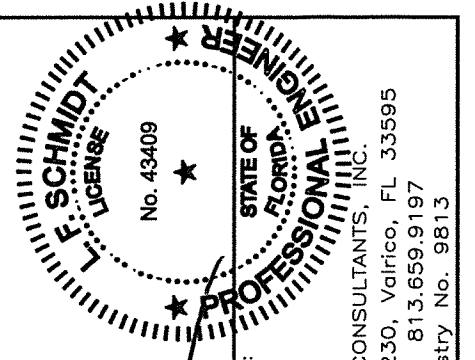
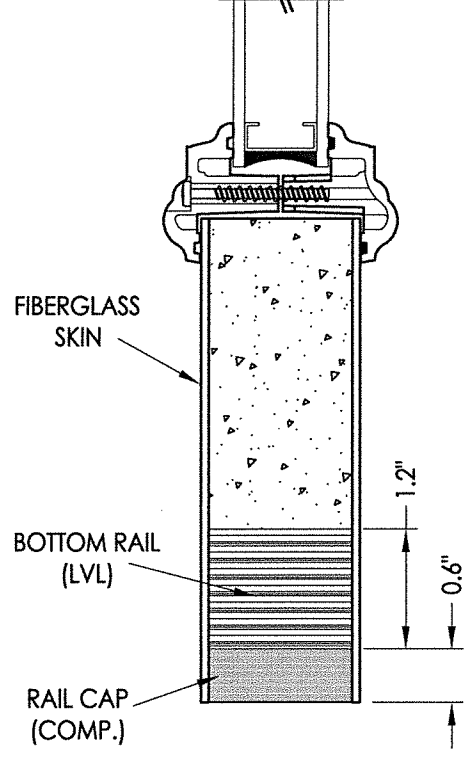
G2 GLAZING DETAIL
RSL LITE FRAME



3A RSL LITE FRAME
PVC



2
3 VERTICAL CROSS SECTION

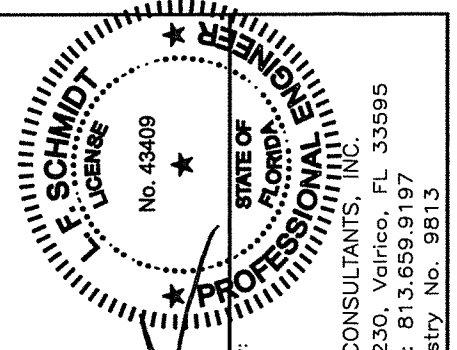
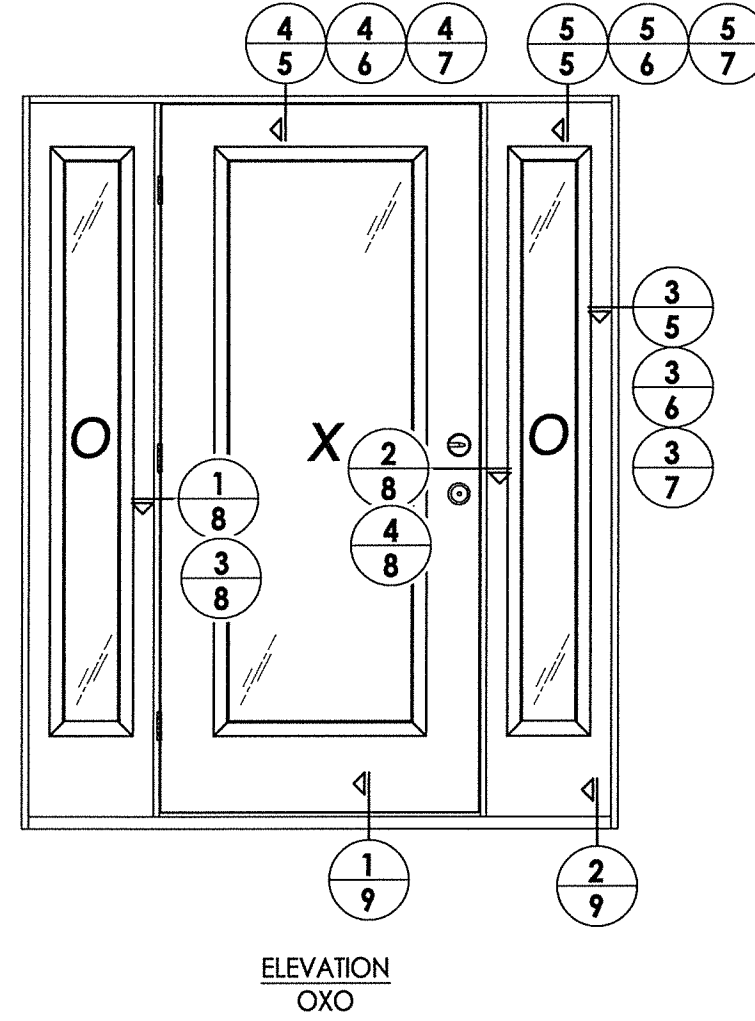
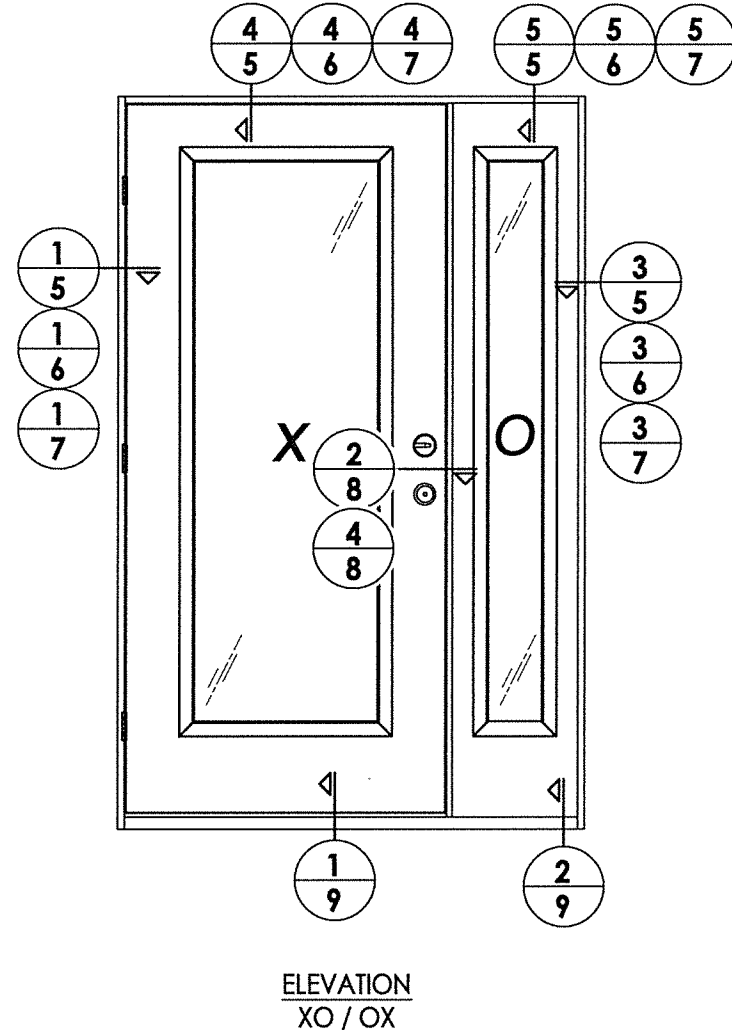
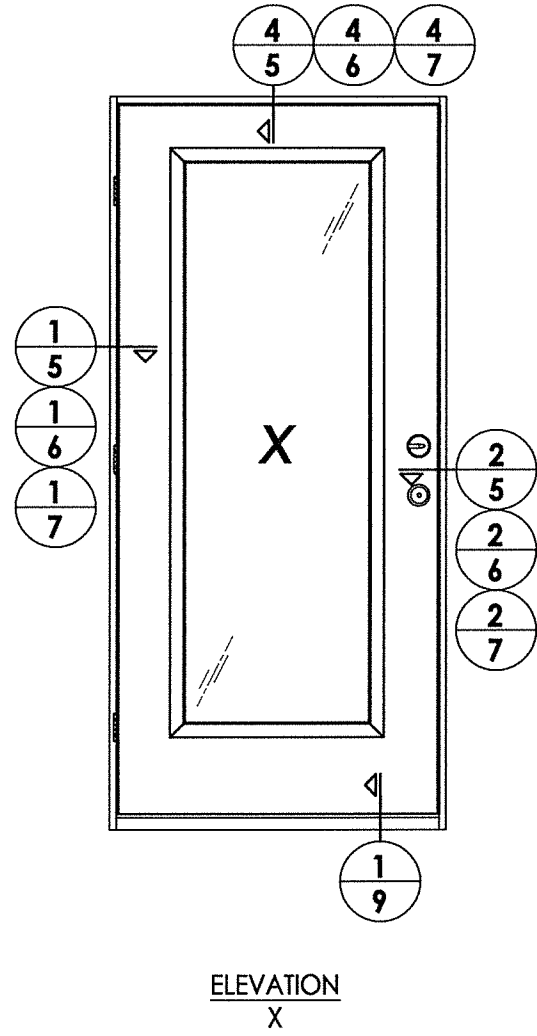


August 6, 2020
Documents Prepared By:
Lyndon F. Schmidt
P.E. No. 43409

R.W.
BUILDING CONSULTANTS, INC.
P.O. Box 230, Vairico, FL 33595
Phone No.: 813.659.9197
FBPE Registry No. 9813

PRODUCT: DOORSCAPES FIBERGLASS DOOR	
PART OR ASSEMBLY: SIDELITE PANEL DETAILS	
NO.	DATE
1	8/06/20
UPDATE TO 7TH ED. (2020) FBC	
LFS	BY
REVISIONS	
DATE: 1/21/19	
SCALE: N.T.S.	
DWG. BY: MT	
CHK. BY: LFS	
DRAWING NO.: FL-28831.3	
SHEET 3 OF 12	

FIBERGLASS SKIN: 0.075" MIN. THK.
FOAM CORE: POLYURETHANE -1.9 PCF MIN.



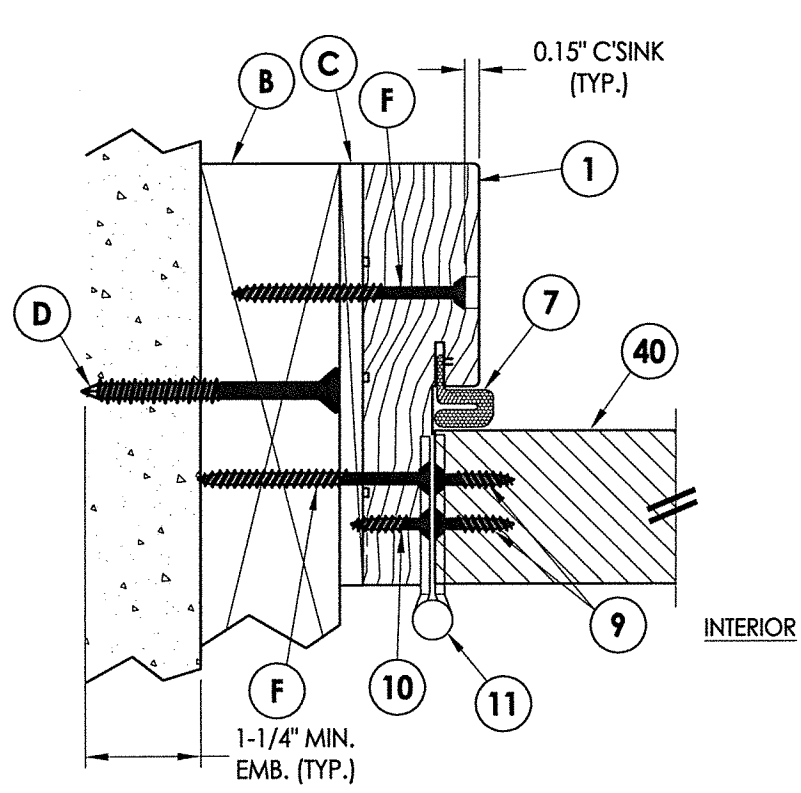
F. Schmidt
August 6, 2020

Documents Prepared By:
Lyndon F. Schmidt
P.E. No. 43409

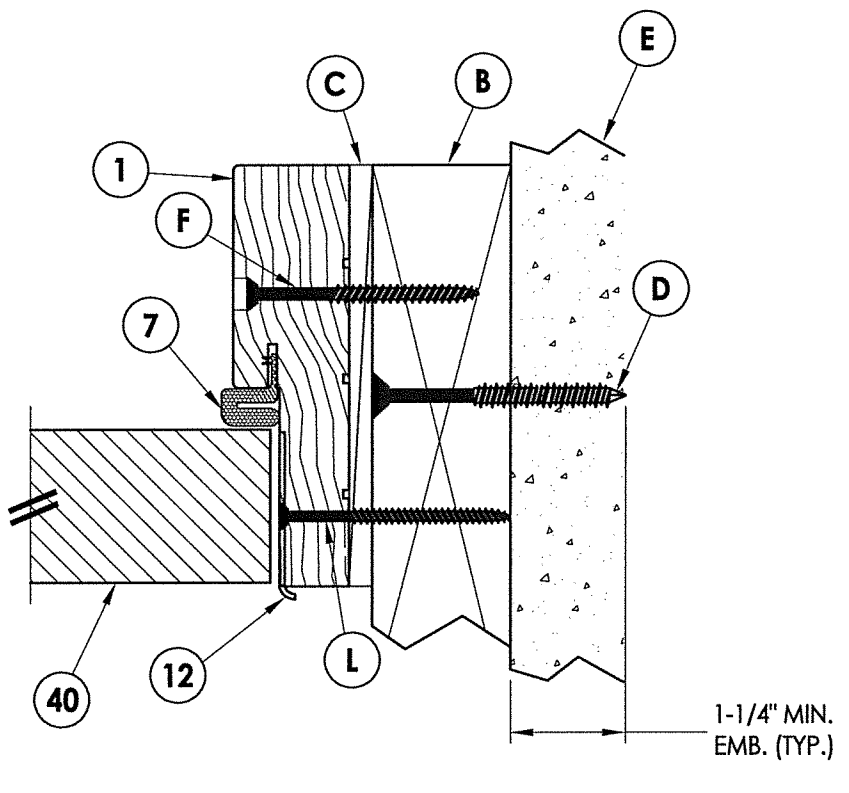
RW
BUILDING CONSULTANTS, INC.
P.O. Box 230, Valrico, FL 33595
Phone No.: 813.659.9197
FBPE Registry No. 9813

PRODUCT:		DOORSCAPES FIBERGLASS DOOR	
PART OR ASSEMBLY:		ELEVATIONS	
NO.	DATE	BY	REVISIONS
1	8/06/20	LFS	UPDATE TO 7TH ED. (2020) FBC
DATE:		1/21/19	
SCALE:		N.T.S.	
DWG. BY:		MT	
CHK. BY:		LFS	
DRAWING NO.:		FL-28831.3	
SHEET		4 OF 12	

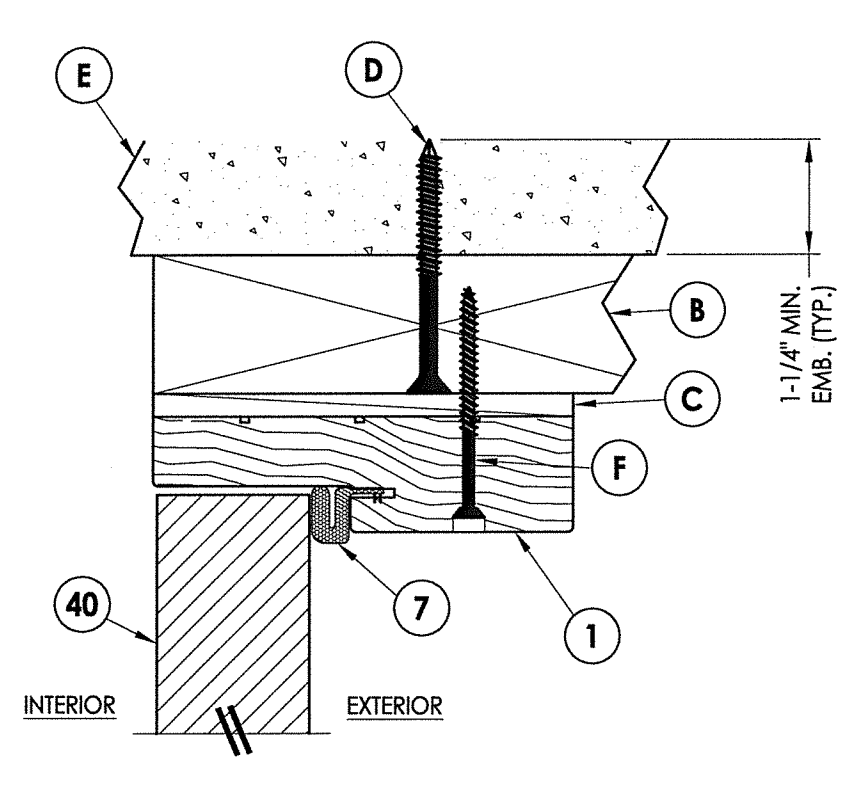
R:\Clients\DoorScapes\A - Florida Product Approvals\FL-28831 (FG Door)\C - Drawings\FL-28831 (2020)\FL28831.3-4.dwg, 5.1



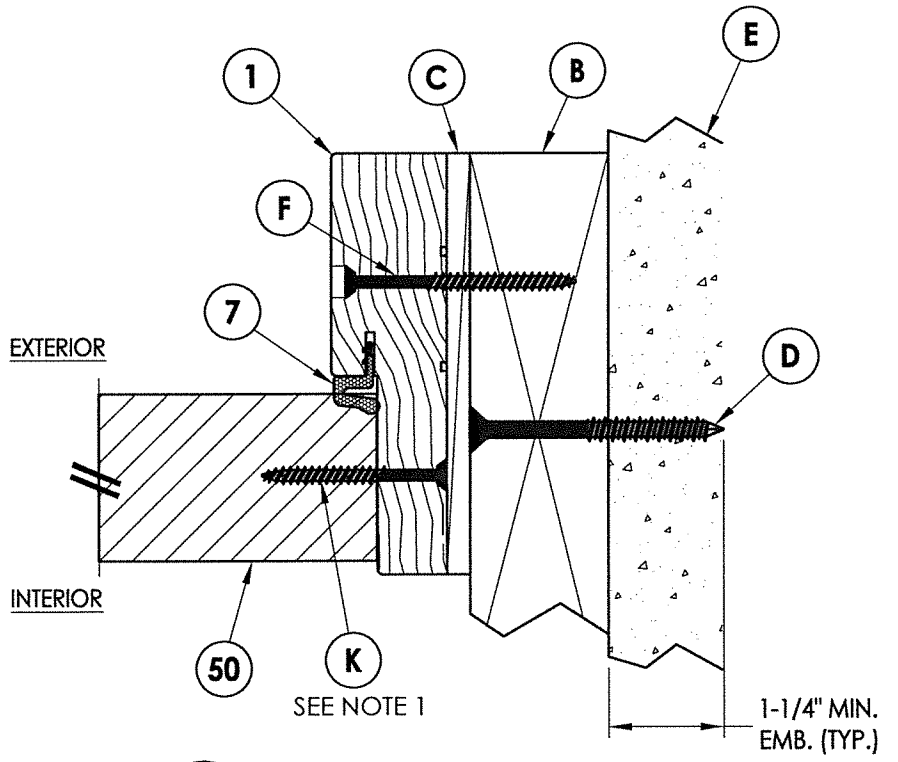
1 HORIZONTAL CROSS SECTION
5 Inswing
 2X Buck Construction



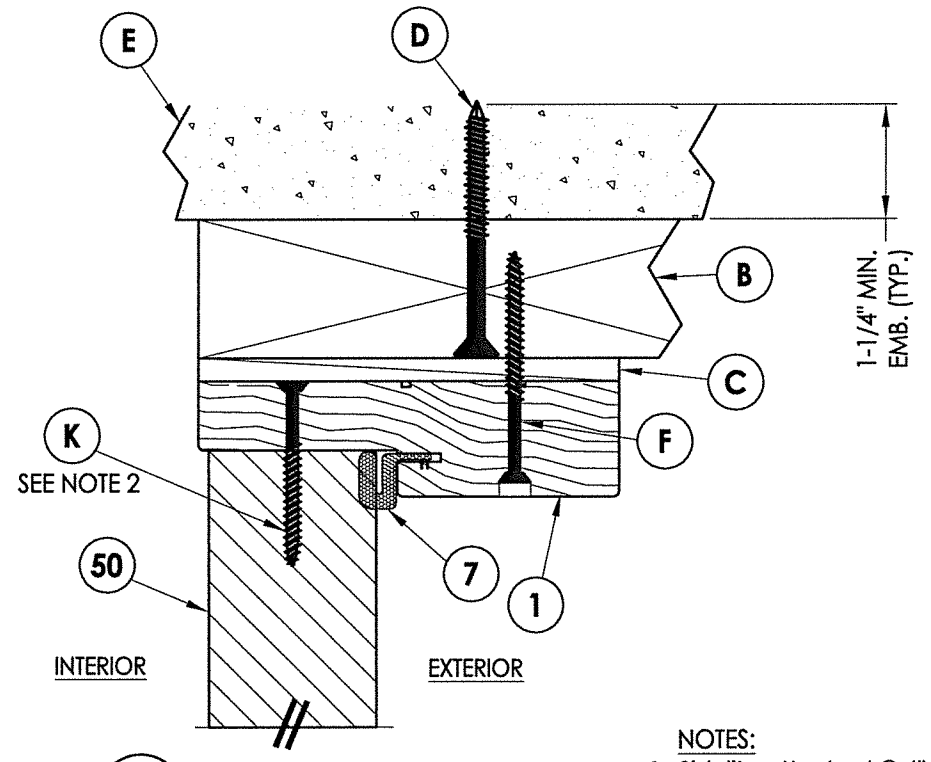
2 HORIZONTAL CROSS SECTION
5 Inswing
 2X Buck Construction



4 VERTICAL CROSS SECTION
5 Inswing
 2X Buck Construction

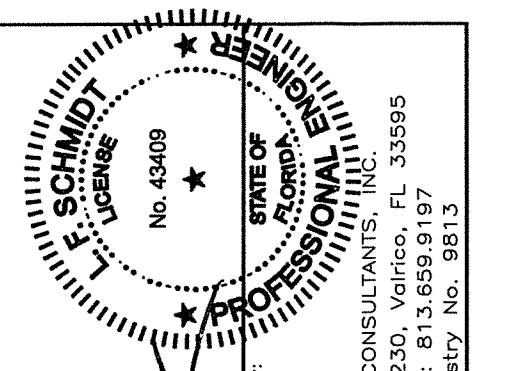


3 HORIZONTAL CROSS SECTION
5 Inswing
 2X Buck Construction



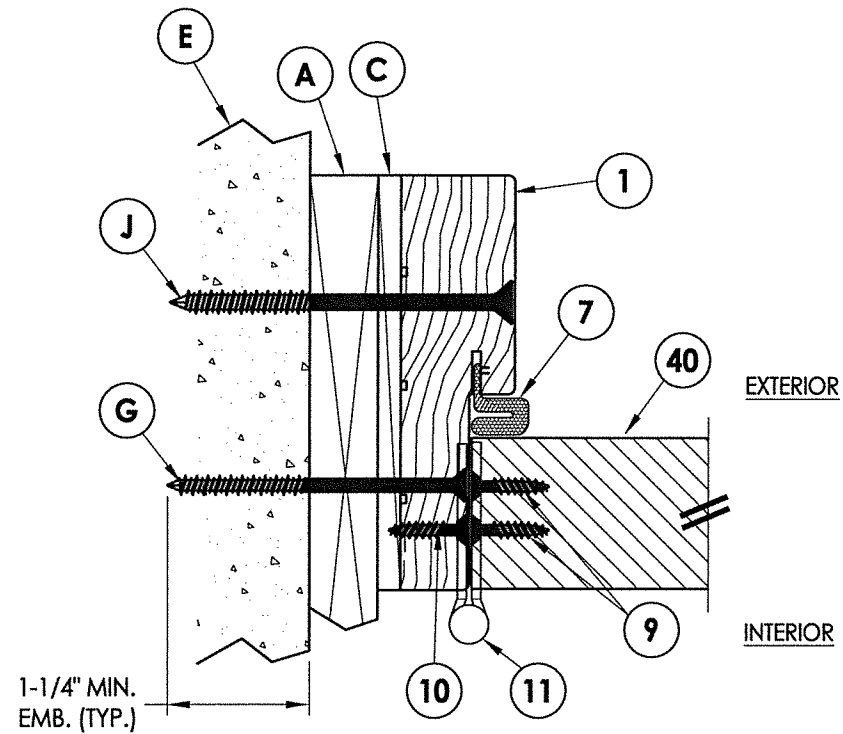
5 VERTICAL CROSS SECTION
5 Inswing
 2X Buck Construction

- NOTES:**
- Sidelite attached @ 6" from each end plus 4 more screws equally spaced between (6 screws total per jamb).
 - Sidelite attached @ 3" from each end (2 screws total @ head).

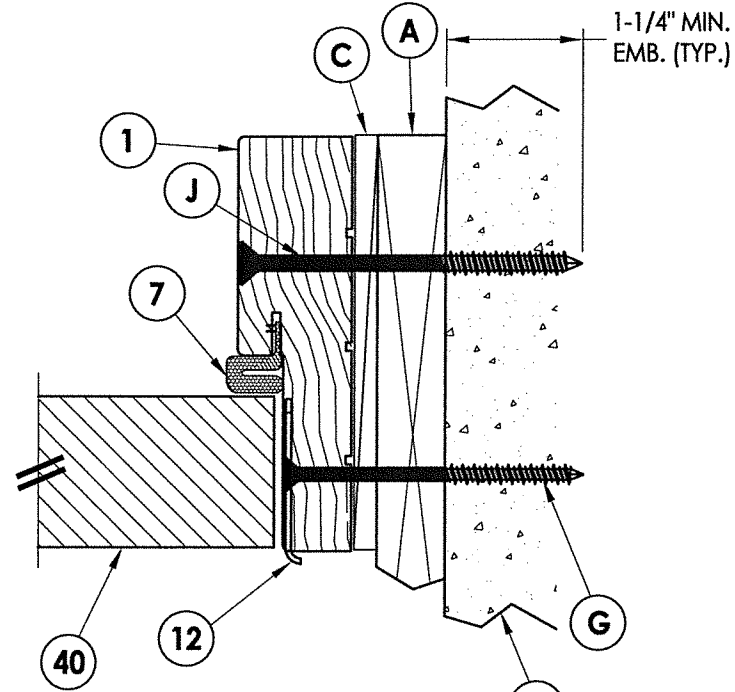


August 6, 2020
 Documents Prepared By:
 Lyndon F. Schmidt
 P.E. No. 43409
 R.W. BUILDING CONSULTANTS, INC.
 P.O. Box 230, Valrico, FL 33595
 Phone No.: 813.659.9197
 FBPE Registry No. 9813

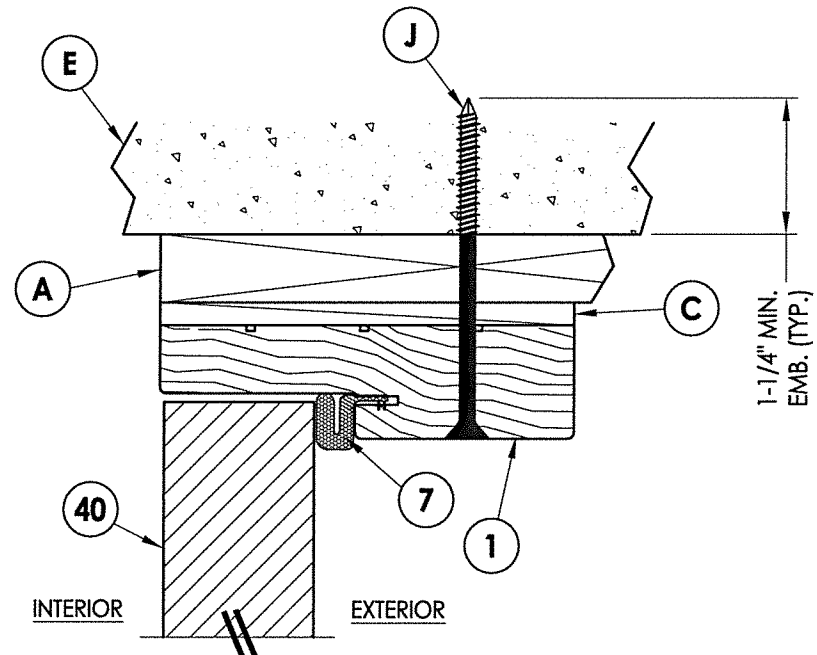
PRODUCT:		DOORSCAPES FIBERGLASS DOOR	
PART OR ASSEMBLY:		HORIZONTAL & VERTICAL CROSS SECTIONS (2X BUCK)	
DATE:	1/21/19	NO.	1
SCALE:	N.T.S.	DATE	8/06/20
DWG. BY:	MT	BY	LFS
CHK. BY:	LFS	REVISIONS	
DRAWING NO.:	FL-28831.3		
SHEET	5	OF	12



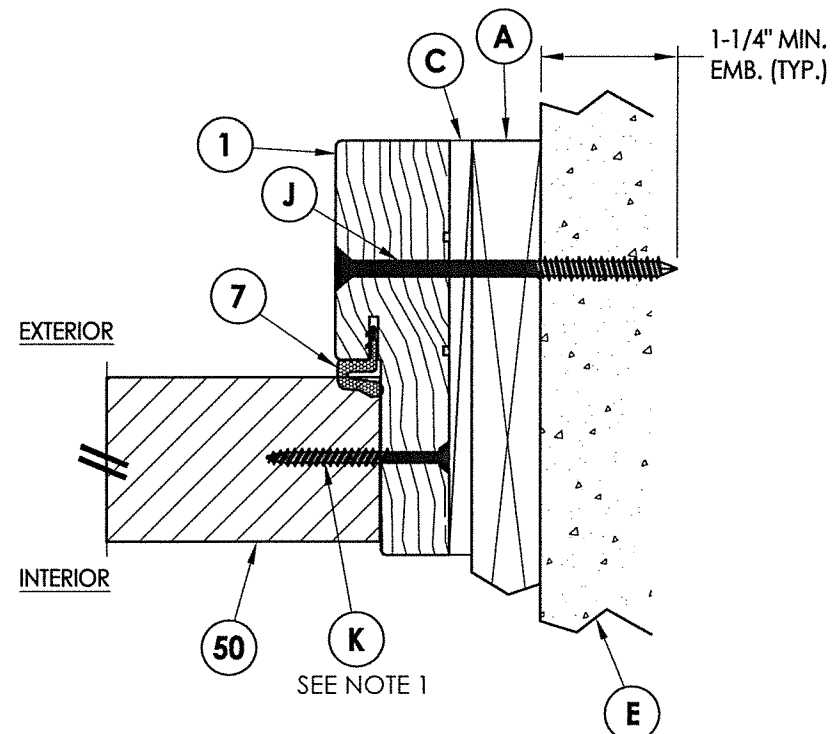
1 **HORIZONTAL CROSS SECTION**
6 Inswing
 1X Buck Construction



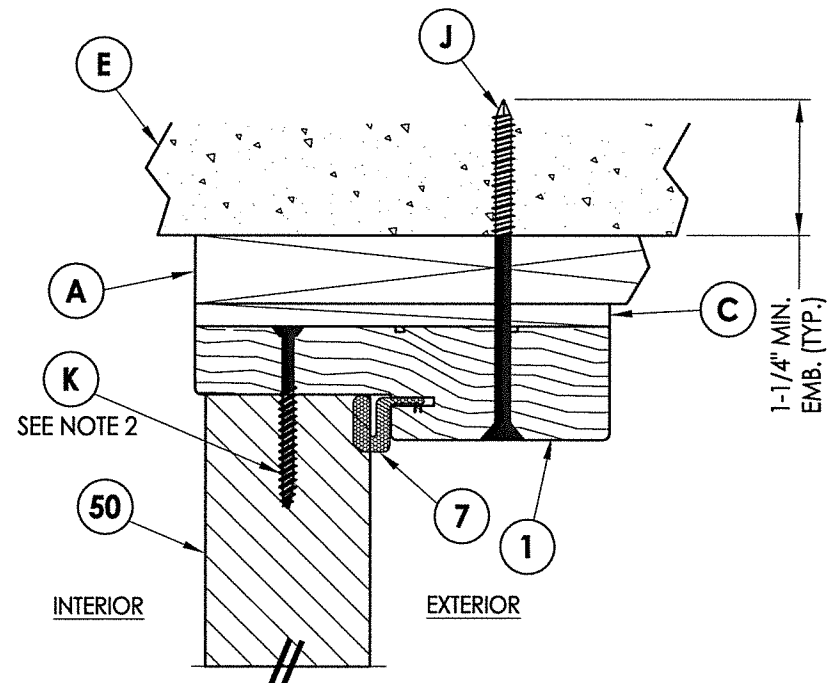
2 **HORIZONTAL CROSS SECTION**
6 Inswing
 1X Buck Construction



4 **VERTICAL CROSS SECTION**
6 Inswing
 1X Buck Construction



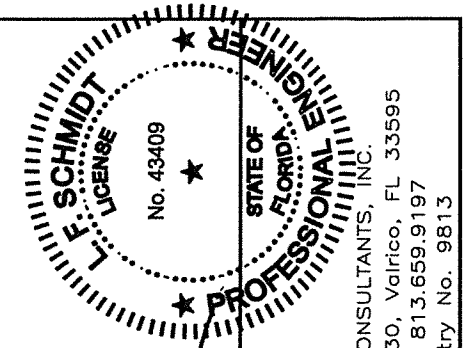
3 **HORIZONTAL CROSS SECTION**
6 Inswing
 1X Buck Construction



5 **VERTICAL CROSS SECTION**
6 Inswing
 1X Buck Construction

NOTES:

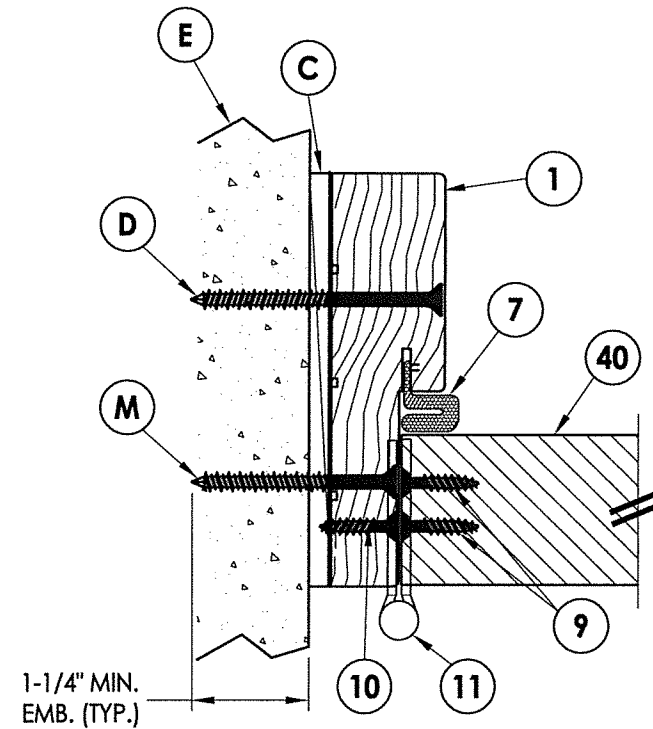
- Sidelite attached @ 6" from each end plus 4 more screws equally spaced between (6 screws total per jamb).
- Sidelite attached @ 3" from each end (2 screws total @ head).



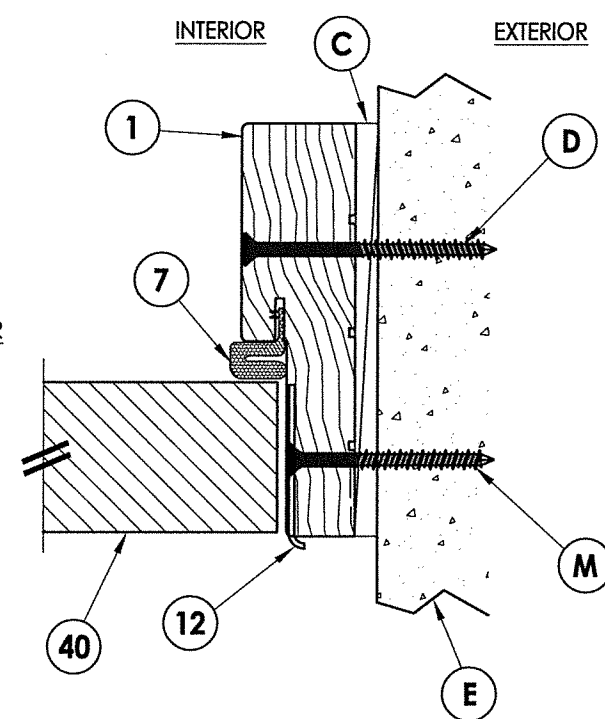
August 6, 2020
 Documents Prepared By:
 Lyndon F. Schmidt
 P.E. No. 43409
 R.W. BUILDING CONSULTANTS, INC.
 P.O. Box 230, Valrico, FL 33595
 Phone No.: 813.659.9197
 FBPE Registry No. 9813

PRODUCT:		DOORSCAPES FIBERGLASS DOOR	
PART OR ASSEMBLY:		HORIZONTAL & VERTICAL CROSS SECTIONS (1X BUCK)	
NO.	DATE	BY	REVISIONS
1	8/06/20	FBC	LFS
DATE:		1/21/19	
SCALE:		N.T.S.	
DWG. BY:		MT	
CHK. BY:		LFS	
DRAWING NO.:		FL-28831.3	
SHEET		6 OF 12	

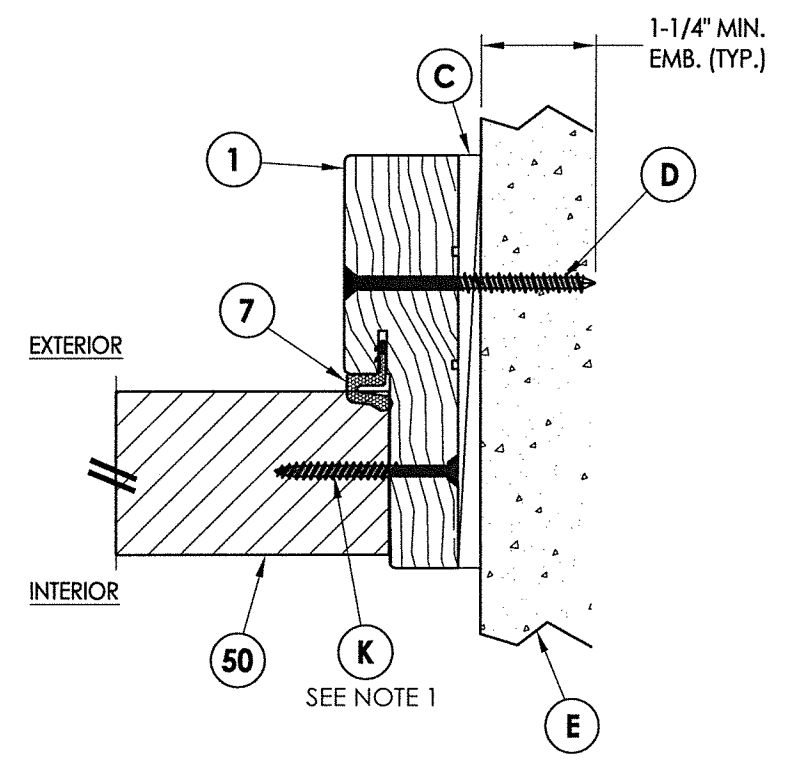
R:\Clients\Doorscapes\A - Florida Product Approvals\FL-28831 (FG Door)\C - Drawings\FL-28831 (2020)\FL28831.3-4.dwg, 7.1



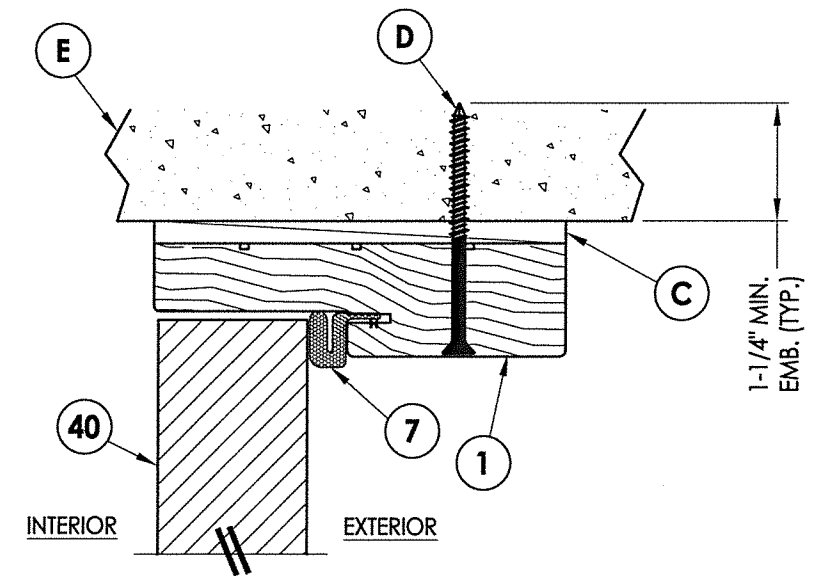
1
7 **HORIZONTAL CROSS SECTION**
Inswing
Shown Direct to Masonry



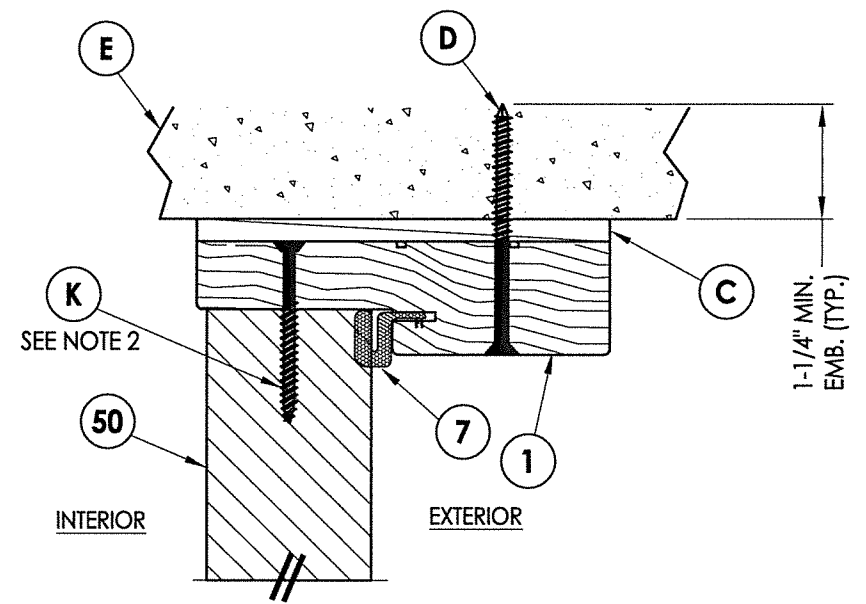
2
7 **HORIZONTAL CROSS SECTION**
Inswing
Shown Direct to Masonry



3
7 **HORIZONTAL CROSS SECTION**
Inswing
Shown Direct to Masonry

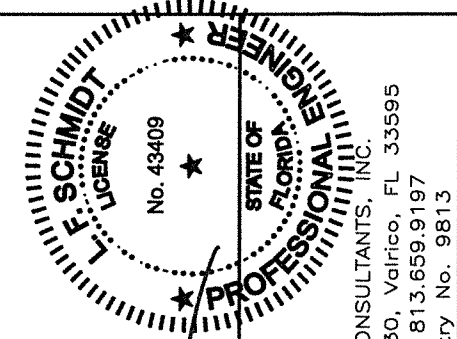


4
7 **VERTICAL CROSS SECTION**
Inswing
Shown Direct to Masonry



5
7 **VERTICAL CROSS SECTION**
Inswing
Shown Direct to Masonry

- NOTES:**
- Sidelite attached @ 6" from each end plus 4 more screws equally spaced between (6 screws total per jamb).
 - Sidelite attached @ 3" from each end (2 screws total @ head).

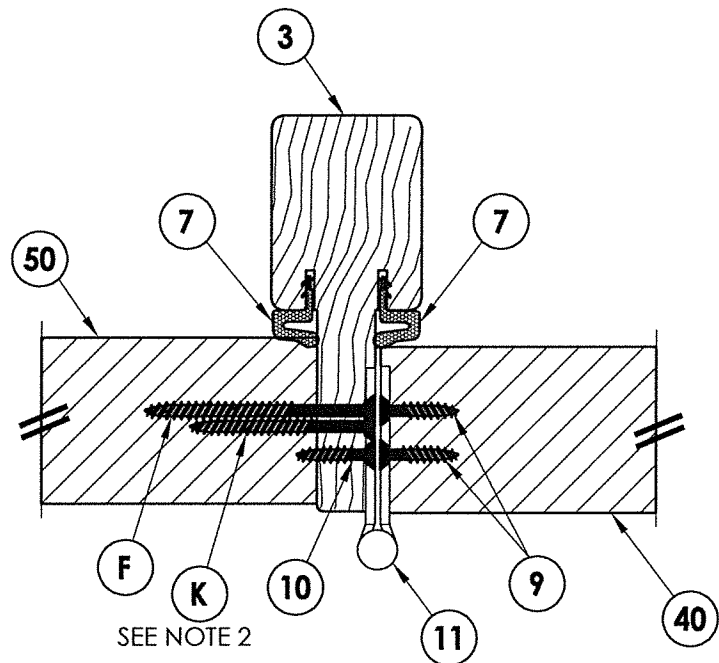


August 6, 2020
 Documents Prepared By:
 Lyndon F. Schmidt
 P.E. No. 43409
 R.W.
 BUILDING CONSULTANTS, INC.
 P.O. Box 230, Valrico, FL 33595
 Phone No.: 813.659.9197
 FBPE Registry No. 9813

PRODUCT:	DOORSCAPES FIBERGLASS DOOR
PART OR ASSEMBLY:	HORIZONTAL & VERTICAL CROSS SECTIONS (DIRECT TO MASONRY)

NO.	DATE	REVISIONS
1	8/06/20	UPDATE TO 7TH ED. (2020) FBC
		LFS
		BY

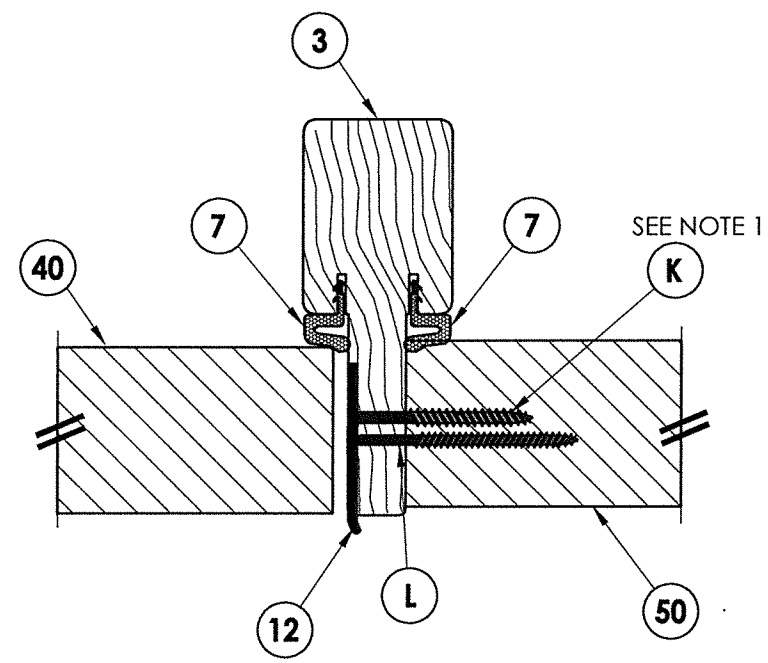
DATE:	1/21/19
SCALE:	N.T.S.
DWG. BY:	MT
CHK. BY:	LFS
DRAWING NO.:	FL-28831.3
SHEET	7 OF 12



1 HORIZONTAL CROSS SECTION
8 Inswing

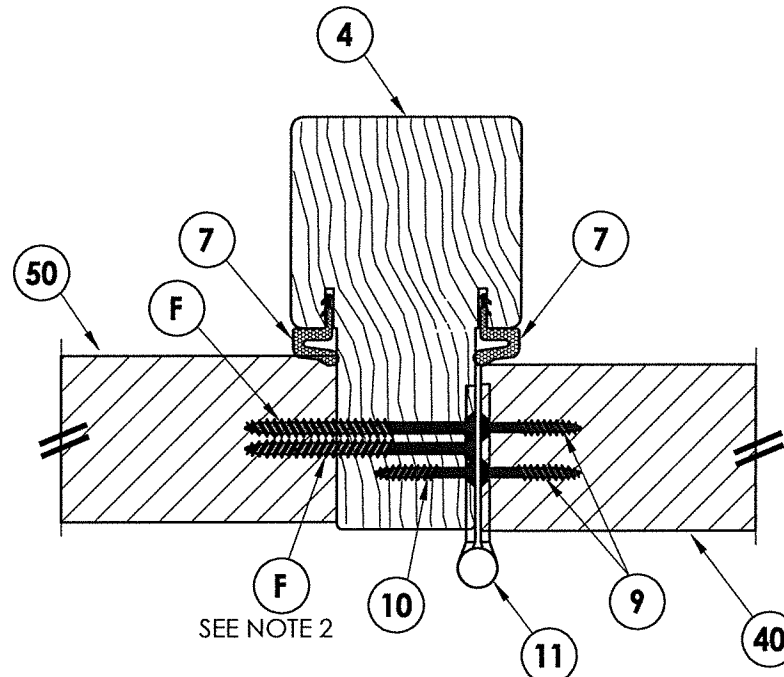
EXTERIOR

INTERIOR



2 HORIZONTAL CROSS SECTION
8 Inswing

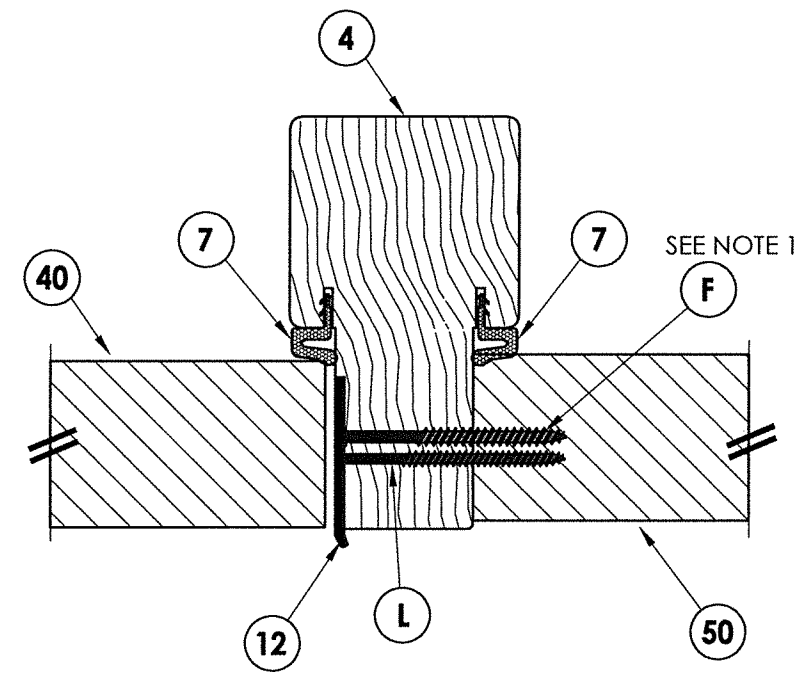
SEE NOTE 1



3 HORIZONTAL CROSS SECTION
8 Inswing

EXTERIOR

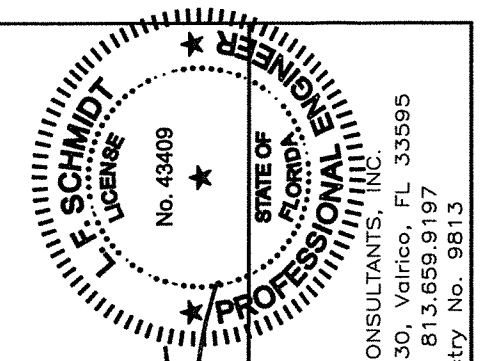
INTERIOR



4 HORIZONTAL CROSS SECTION
8 Inswing

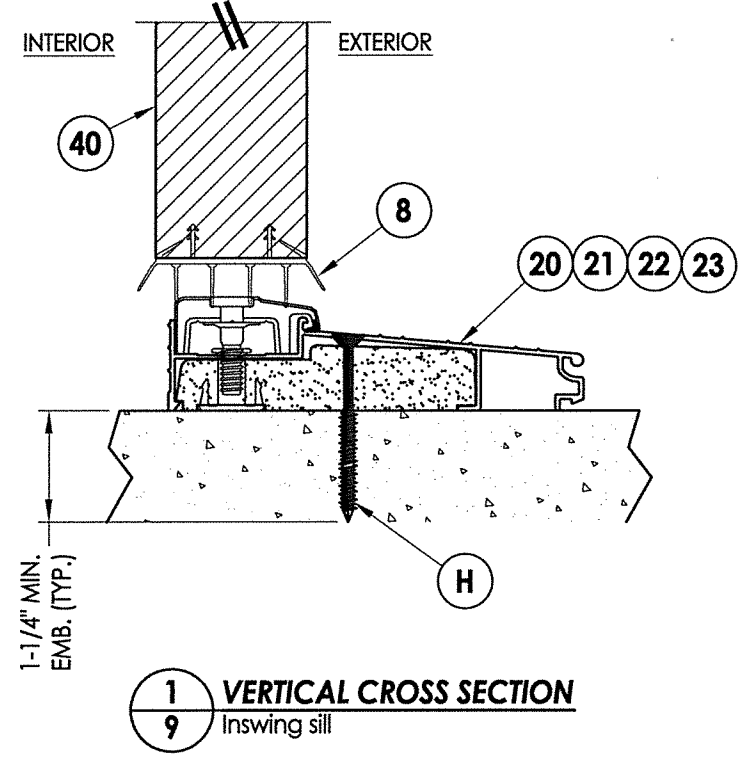
SEE NOTE 1

- NOTES:
- Sidelite attached @ 6" from each end plus 4 more screws equally spaced between (6 screws total per jamb).
 - Sidelite attached w/ 1 screw equally spaced between each hinge (2 screws total per mullion).

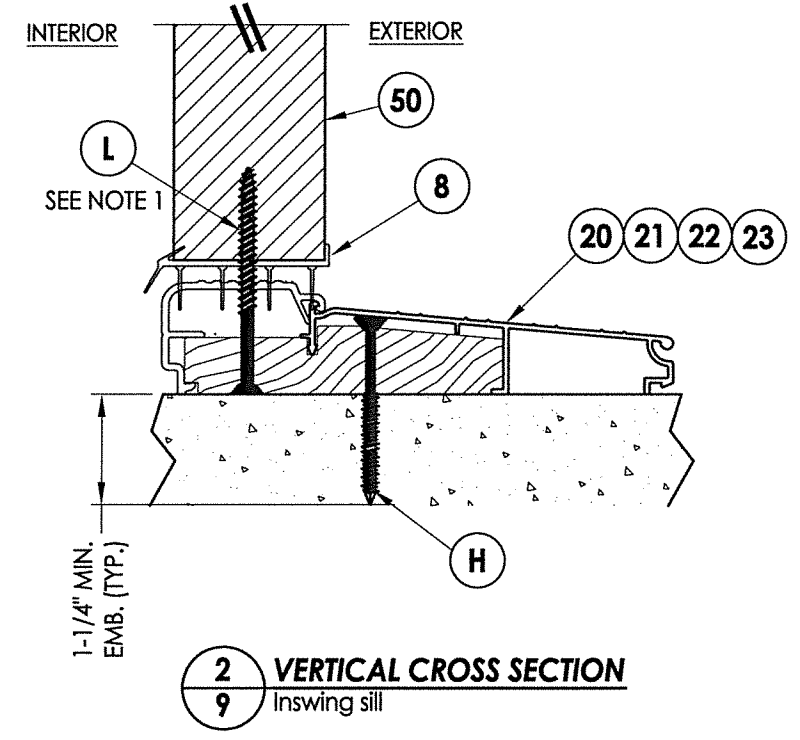


August 6, 2020
 Documents Prepared By:
 Lyndon F. Schmidt
 P.E. No. 43409
 R.W.
 BUILDING CONSULTANTS, INC.
 P.O. Box 230, Valrico, FL 33595
 Phone No.: 813.659.9197
 FBPE Registry No. 9813

PRODUCT: DOORSCAPES FIBERGLASS DOOR		PART OR ASSEMBLY: HORIZONTAL CROSS SECTIONS	
NO.	DATE	BY	REVISIONS
1	8/06/20	FBC	UPDATE TO 7TH ED. (2020)
DATE: 1/21/19		SCALE: N.T.S.	
DWG. BY: MT		CHK. BY: LFS	
DRAWING NO.: FL-28831.3		SHEET 8 OF 12	



1
9 VERTICAL CROSS SECTION
Inswing sill



2
9 VERTICAL CROSS SECTION
Inswing sill

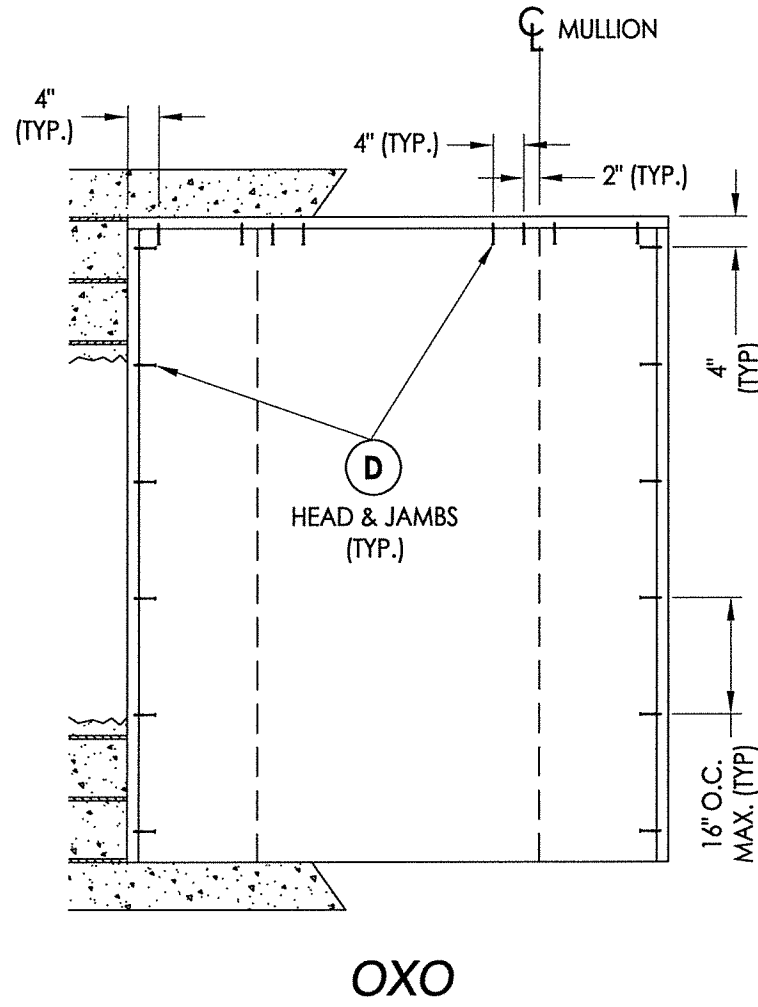
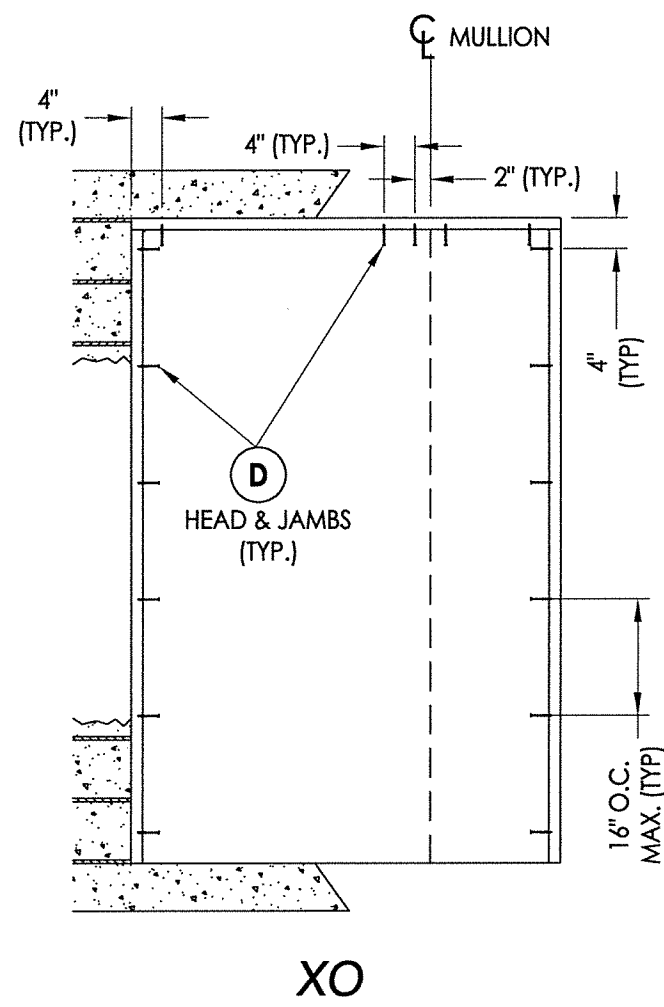
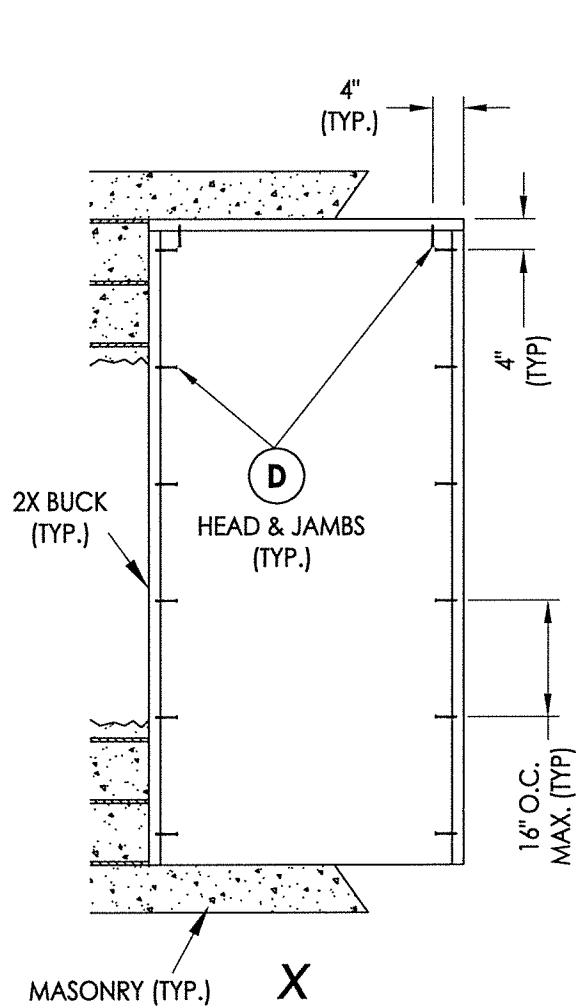
NOTE:
1. Sidelite attached @ 3" from each end (2 screws total @ sill).

LFS
 August 6, 2020
 Documents Prepared By:
 Lyndon F. Schmidt
 P.E. No. 43409

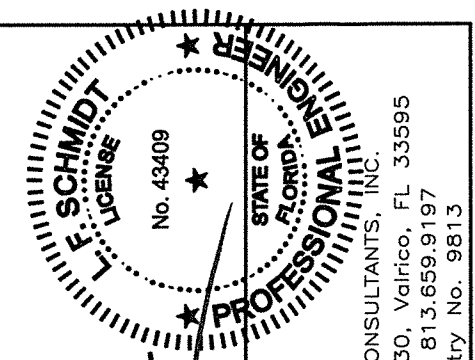
RW
 BUILDING CONSULTANTS, INC.
 P.O. Box 230, Valrico, FL 33595
 Phone No.: 813.659.9197
 FBPE Registry No. 9813

PRODUCT: DOORSCAPES FIBERGLASS DOOR	PART OR ASSEMBLY: VERTICAL CROSS SECTIONS			
REVISIONS				
NO.	DATE	BY	LFS	BY
1	8/06/20	UPDATE TO 7TH ED. (2020)	FBC	BY
DATE: 1/21/19 SCALE: N.T.S. DWG. BY: MT CHK. BY: LFS DRAWING NO.: FL-28831.3 SHEET 9 OF 12				

R:\Clients\DoorScapes\A - Florida Product Approvals\FL-28831 (FG Door)\C - Drawings\FL-28831 (2020)\FL28831.3-4.dwg, 10.1



2X BUCK ANCHORING

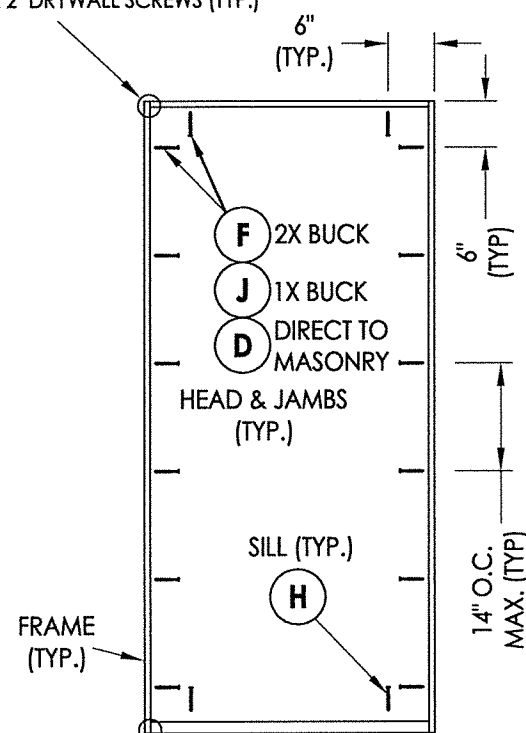


August 6, 2020
 Documents Prepared By:
 Lyndon F. Schmidt
 P.E. No. 43409
 R.W. BUILDING CONSULTANTS, INC.
 P.O. Box 230, Vairico, FL 33595
 Phone No.: 813.659.9197
 FBPE Registry No. 9813

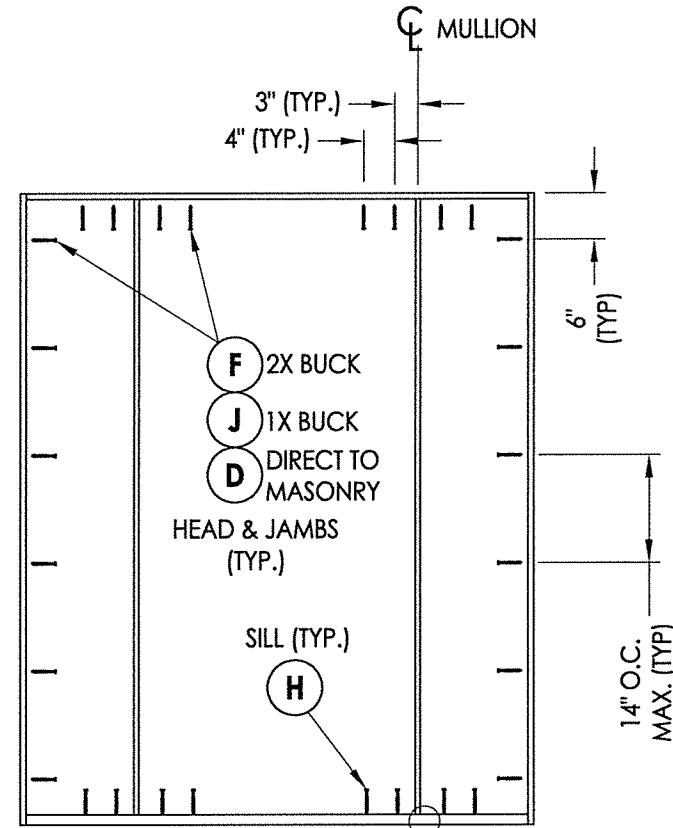
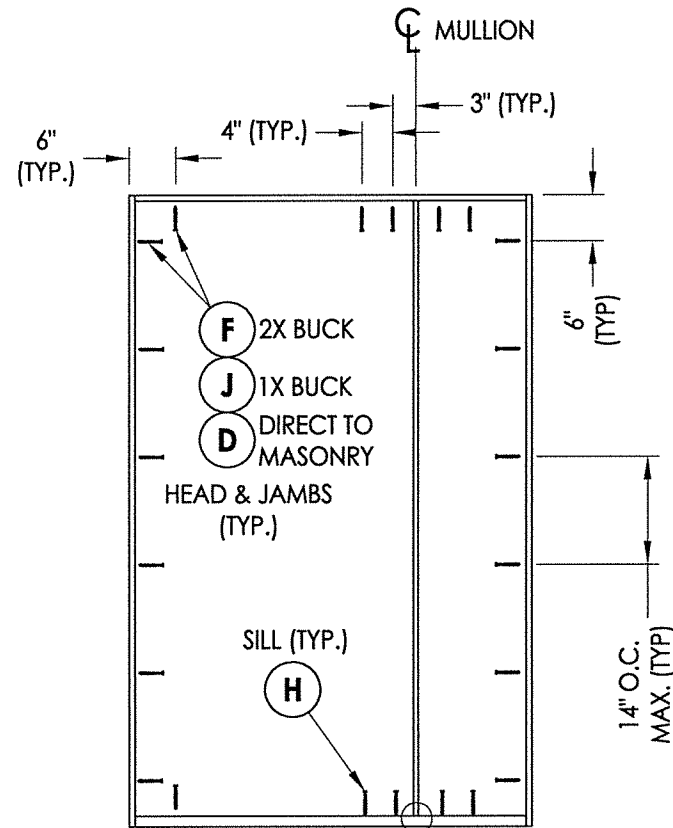
PRODUCT:		DOORSCAPES FIBERGLASS DOOR	
PART OR ASSEMBLY:		BUCK ANCHORING	
NO.	DATE	BY	REVISIONS
1	8/06/20	LFS	UPDATE TO 7TH ED. (2020)
DATE: 1/21/19		SCALE: N.T.S.	
DWG. BY: MT		CHK. BY: LFS	
DRAWING NO.: FL-28831.3		SHEET 10 OF 12	

R:\Clients\Doorscapes\A - Florida Product Approval\FL-28831 (FG Door)\C - Drawings\FL-28831 (2020)\FL28831.3-4.dwg, 11.1

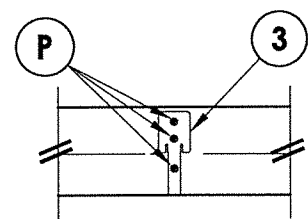
THE HEAD IS ATTACHED TO THE JAMB
w/ (4) #7 X 2" DRYWALL SCREWS (TYP.)



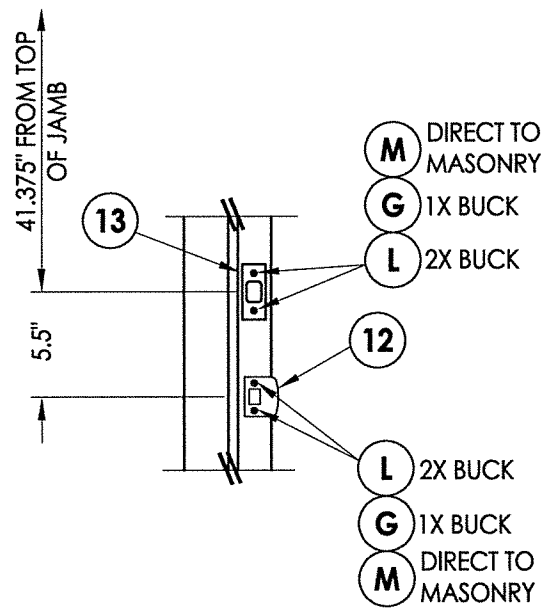
THE THRESHOLD IS ATTACHED TO THE JAMB
w/ (4) 7/16" X 2" STEEL CROWN STAPLES (TYP.)



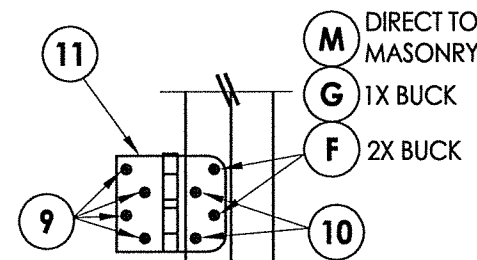
FRAME ANCHORING



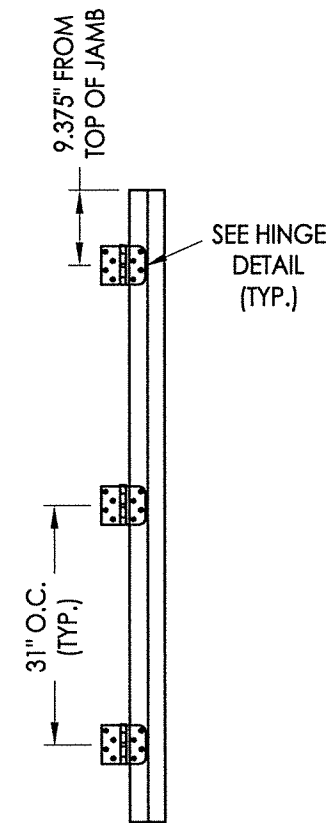
MULLION END DETAIL
(TYP. @ HEAD & SILL)



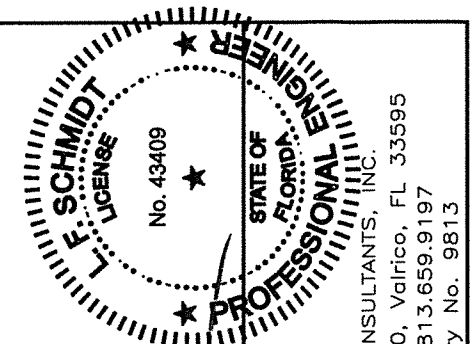
LATCH & DEADBOLT STRIKE DETAILS



HINGE DETAIL



HINGE JAMB



August 6, 2020
 Documents Prepared By:
 Lyndon F. Schmidt
 P.E. No. 43409
 R.W. BUILDING CONSULTANTS, INC.
 P.O. Box 230, Valrico, FL 33595
 Phone No.: 813.659.9197
 FBPE Registry No. 9813

PRODUCT:	DOORSCAPES FIBERGLASS DOOR	
PART OR ASSEMBLY:	FRAME ANCHORING & HARDWARE DETAILS	
NO.	DATE	BY
1	8/06/20 UPDATE TO 7TH ED. (2020)	LFS
REVISIONS		
DATE:	1/21/19	
SCALE:	N.T.S.	
DWG. BY:	MT	
CHK. BY:	LFS	
DRAWING NO.:	FL-28831.3	
SHEET	11 OF 12	

R:\Clients\DoorScapes\A - Florida Product Approvals\FL-28831 (FG Door)\C - Drawings\FL-28831.3-4.dwg, 12.1

BILL OF MATERIALS

ITEM #	DESCRIPTION	MATERIAL
A	1X BUCK (G >= 0.42)	WOOD
B	2X BUCK (G >= 0.42)	WOOD
C	1/4" MAX. SHIM SPACE	-
D	1/4" X 2-3/4" PFH DeWALT OR ITW CONCRETE SCREW	STEEL
E	MASONRY - 3,000 PSI MIN. CONCRETE CONFORMING TO ACI 301 OR HOLLOW BLOCK CONFORMING TO ASTM C90	CONCRETE
F	#10 X 2-1/2" PFH WOOD SCREW (1.15" MIN. EMBEDMENT)	STEEL
G	3/16" X 3-1/4" PFH ITW CONCRETE SCREW	STEEL
H	1/4" X 2-1/4" PFH DeWALT OR ITW CONCRETE SCREW	STEEL
J	1/4" X 3-3/4" PFH DeWALT OR ITW CONCRETE SCREW	STEEL
K	#10 X 2" PFH WOOD SCREW	STEEL
L	#8 X 2-1/2" PFH WOOD SCREW	STEEL
M	3/16" X 2-1/4" PFH ITW CONCRETE SCREW	STEEL
P	#7 X 2-1/2" DRYWALL SCREW	STEEL
1	FINGER JOINT PINE JAMB (G >= 0.42)	WOOD
3	INTEGRAL MULLION - 1.625" WIDE (PINE, G >= 0.42)	WOOD
4	INTEGRAL MULLION - 2.5" WIDE (PINE, G >= 0.42)	WOOD
7	WEATHERSTRIP	FOAM
8	DOOR/SIDELITE BOTTOM SWEEP	VINYL
9	#9 X 1" PFH WOOD SCREW	STEEL
10	#10 X 3/4" PFH WOOD SCREW	STEEL
11	4" X 4" BUTT HINGE	STEEL
12	LATCH STRIKE PLATE	STEEL
13	DEADBOLT STRIKE PLATE	STEEL
20	INSWING THRESHOLD (AFCA A-125)	ALUM/WOOD
21	INSWING THRESHOLD (AFCA A-125)	ALUM/COMP
22	INSWING THRESHOLD (AFCA A-276)	ALUM/WOOD
23	INSWING THRESHOLD (AFCA A-280)	ALUM/WOOD
40	DOOR PANEL - SEE DOOR PANEL DETAIL SHEET FOR DETAILS	-
50	SIDELITE PANEL - SEE SIDELITE PANEL DETAIL SHEET FOR DETAILS	-

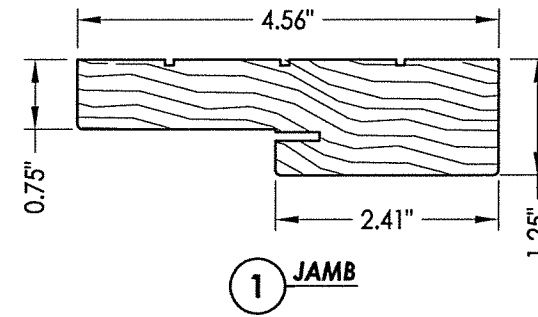
CONCRETE ANCHOR NOTES:

- Concrete anchor locations at the corners may be adjusted to maintain the min. edge distance to mortar joints.
- Concrete anchor locations noted as "MAX. ON CENTER" must be adjusted to maintain the min. edge distance to mortar joints, additional concrete anchors may be required to ensure the "MAX. ON CENTER" dimension are not exceeded.
- Concrete anchor table:

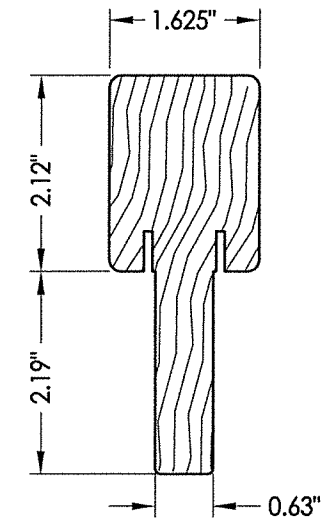
ANCHOR TYPE	ANCHOR SIZE	MIN. EMBEDMENT	MIN. CLEARANCE TO MASONRY EDGE	MIN. CLEARANCE TO ADJACENT ANCHOR
ITW BUILDDEX TAPCON®	3/16"	1-1/4"	3"	1-1/2"
	1/4"	1-1/4"	2"	4"
DeWALT ULTRACON®	1/4"	1-1/4"	1"	4"

WOOD SCREW INSTALLATION NOTES:

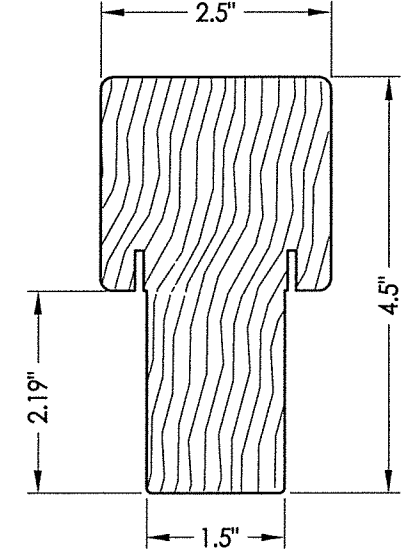
- Maintain a minimum 5/8" edge distance, 1" end distance, & 1" o.c. spacing of wood screws to prevent the splitting of wood.



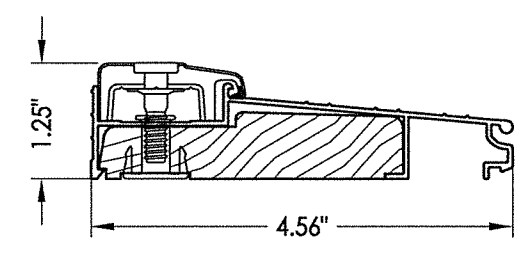
1 JAMB



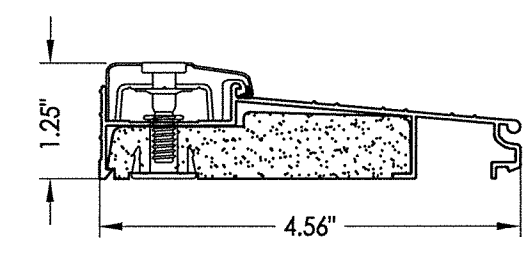
3 INTEGRAL MULLION
1.625" WIDTH



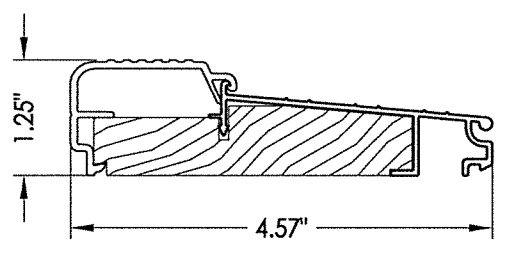
4 INTEGRAL MULLION
2.5" WIDTH



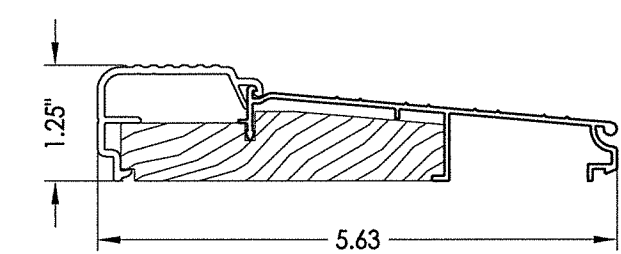
20 INSWING ADJUSTABLE THRESHOLD



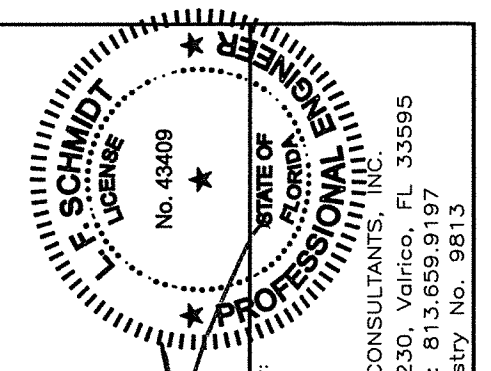
21 INSWING ADJUSTABLE THRESHOLD



22 INSWING FIXED THRESHOLD



23 INSWING FIXED THRESHOLD



August 6, 2020
 Documents Prepared By:
 Lyndon F. Schmidt
 P.E. No. 43409
 BUILDING CONSULTANTS, INC.
 P.O. Box 230, Vairico, FL 33595
 Phone No.: 813.659.9197
 FBPE Registry No. 9813

PRODUCT:	DOORSCAPES FIBERGLASS DOOR
PART OR ASSEMBLY:	BILL OF MATERIALS & COMPONENTS
DATE:	1/21/19
SCALE:	N.T.S.
DWG. BY:	MT
CHK. BY:	LFS
DRAWING NO.:	FL-28831.3
SHEET	12 OF 12